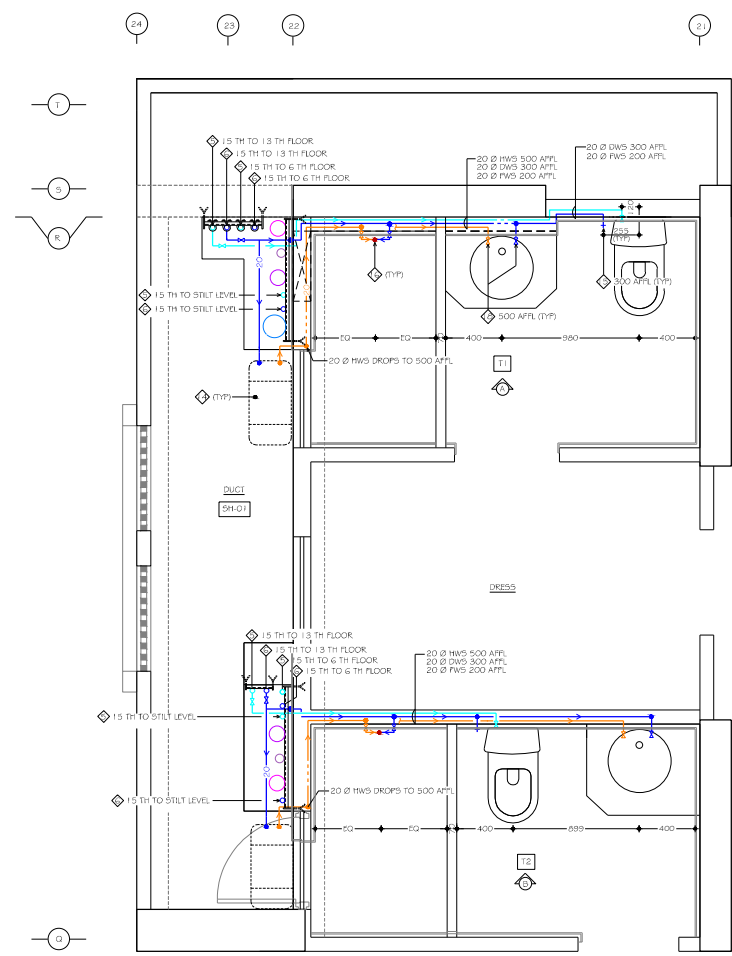
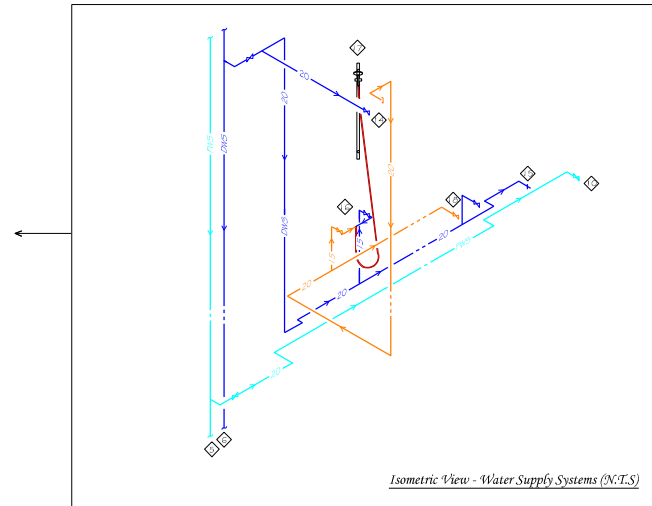


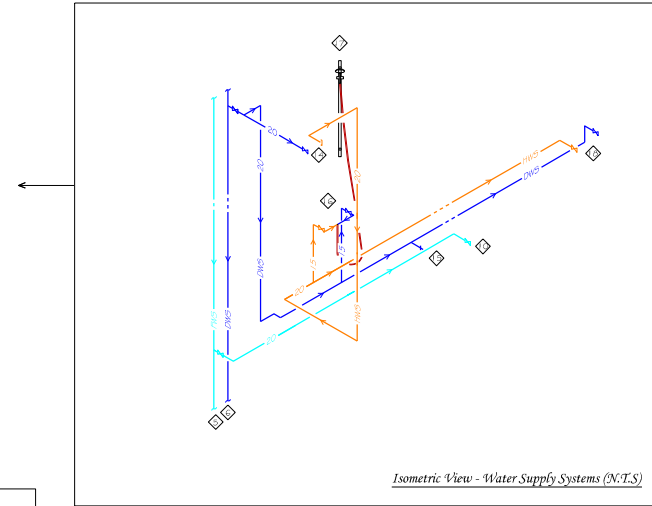
Drainage Detail



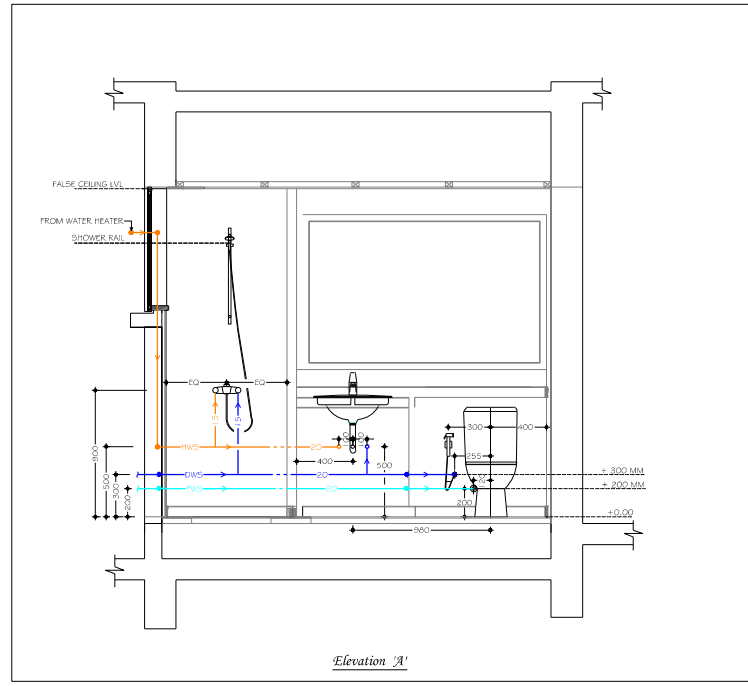
Water Supply Detail



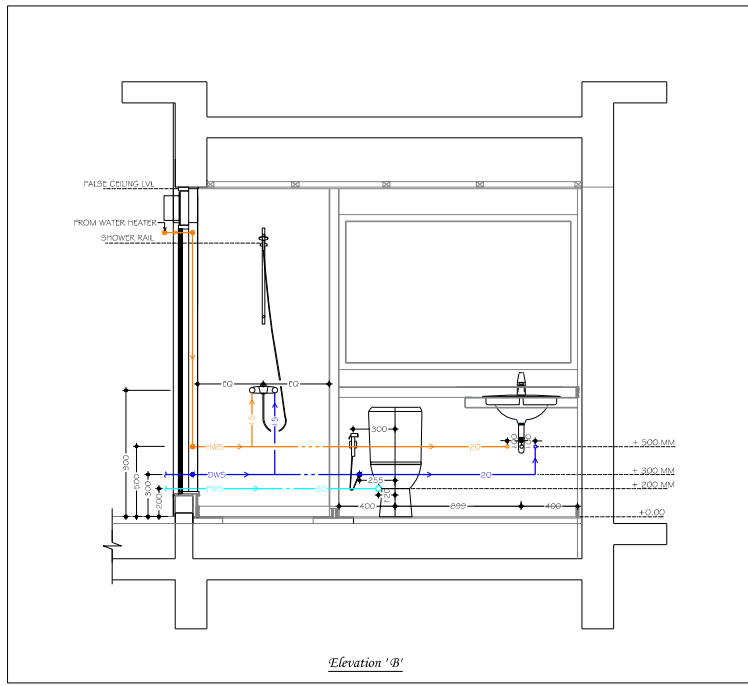
Isometric View - Water Supply Systems (N.T.S)



Isometric View - Water Supply Systems (N.T.S)



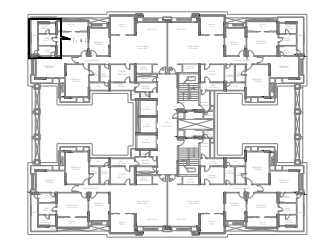
Elevation 'A'



Elevation 'B'

- LEGEND :**
- ◇ 110 Ø PVC SOIL STACK
 - ◇ 63 Ø PVC VENT STACK
 - ◇ FLUSHING WATER SUPPLY
 - ◇ TRAPPED FLOOR GULLY WITH GRATING
 - ◇ VANITY BASIN
 - ◇ ABLUTION FAUCET
 - ◇ HAND SHOWER
 - ◇ 110 Ø PVC WASTE STACK
 - ◇ 160 Ø PVC RAIN WATER PIPE
 - ◇ DOMESTIC WATER SUPPLY
 - ◇ EWC - FLOOR MOUNTED
 - ◇ WATER HEATER
 - ◇ SHOWER MIXER
 - ◇ ANGLE VALVE
- AFL : ABOVE FINISHED FLOOR LEVEL
- S — SOIL PIPE
 - W — WASTE PIPE
 - V — VENT PIPE
 - FWS — FLUSHING WATER SUPPLY (FWS)
 - DWS — DOMESTIC WATER SUPPLY (DWS)
 - HWS — HOT WATER SUPPLY (HWS)

- NOTES :**
1. CENTRES OF FIXTURES MENTIONED ARE INDICATIVE ONLY AND ARE TO BE CO-ORDINATED WITH TILE MODULES.
 2. UNLESS OTHERWISE MENTIONED, ALL DIMENSIONS ARE IN MM.



KEY PLAN

PLUMBING CONTRACTOR :


ESSENCO
 Since 1986
 (An ISO 9001 : 2008 Company)

Sudhakaran Nair & Company Private Limited

• Bangalore • Chennai • Kochi • Hyderabad

DRAWING TITLE:
 TYPICAL TOILET DETAILS - DRAINAGE & WATER SUPPLY INSTALLATIONS - TOILET - T1 & T2 SHAFT No -01

DESIGNED:	SCALE: 1 : 25	DATE:
DRAWN:	DRAWING NO.:	REV. :
CHECKED:		